

Special Application “In-Hose” Inlet Check Valve (ICV) Fig. 0635 Installation Instructions

PLEASE READ ALL INSTRUCTIONS BEFORE PROCEEDING

These valves are for use on fuel tanks to comply with the EPA standards and meet the requirements of U.S.C.G. Safety Standards (July 31, 2011) for 40 CFR Parts 9, 60, 80 et al. (Control of Diurnal Emissions From Nonroad Spark-Ignition Engines and Equipment).

These check valves have been designed for use with plastic or metal tanks. **The Inlet Check Valve is designed to reduce or eliminate a reverse flow of fuel (wellback and spitback) from the fuel tank to the fuel fill via the fill hose.**

Cat. Nos. 0635000 and 0635DP0 can **only** be used with standard 1½” fill hose and a maximum refueling rate of 18 gallons per minute.

Cat. Nos. 0635002 and 0635DP2 can **only** be used with standard 2” fill hose and a maximum refueling rate of 18 gallons per minute.

Installation should be done by a qualified marine mechanic.

To install:

- 1) Prior to removing hose, mark the position of the end of the hose on the fuel tank hose nipple.
- 2) Loosen hose clamps and disconnect the fill hose from the tank.
- 3) Make sure there will be at least 2” of straight hose section for the ICV (see dimension “A” in Diagram 1)
- 4) Insert the valve into the fill hose (small diameter end first) until at least ½” of fill hose extends beyond the valve.
- 5) Re-attach fill hose by pushing onto the tank nipple until the hose reaches the original marked position.
- 6) Tighten using hose clamps in accordance with ABYC Fuel System Vent Hose Clamping Standards.
- 7) Pressure test for leaks in accordance with ABYC H-24.

Diagram 1

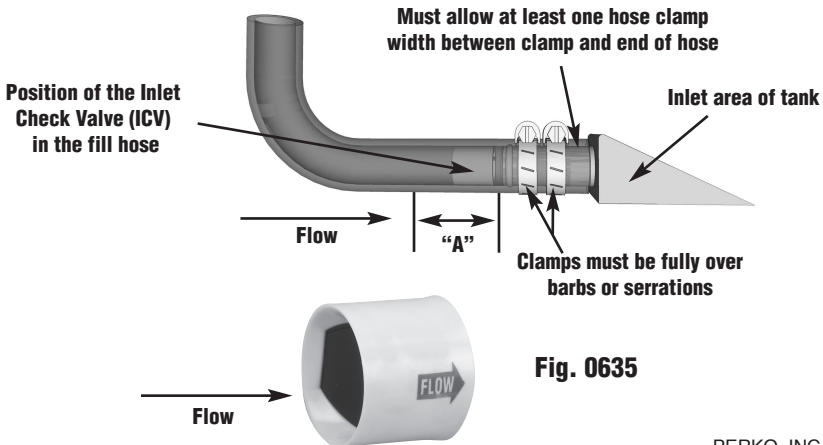


Fig. 0635

Cat. Nos.
0635000
0635DP0
0635002
0635DP2