

PERKO® P-Trap Gas Tank Vents on EPA Fuel Systems

Fig. 0630 P-Trap Tank Vent (Black Body)

Fig. 0631 P-Trap Tank Vent with Pressure and Vacuum Relief (Blue Body)

INSTALLATION INSTRUCTIONS

Read all directions before proceeding.

Note: These P-traps are for use on fuel tanks to comply with the CARB and EPA standards and meet the requirements of U.S.C.G. Safety Standards (July 31, 2011) for 40 CFR Parts 9, 60, 80 et al. (Control of Diurnal Emissions From Nonroad Spark-Ignition Engines and Equipment).

Perko P-traps are certified to meet the requirements of ABYC Standard H-24.18.4.4 through H-24.18.4.4.2. This standard specifies testing for certification using ONLY a direct stream of water. This test does not assure that the P-trap will prevent water intrusion from other directional streams, spray, heavy vapor & mist and from submersion. P-traps should never be installed in locations where they could be subjected to conditions beyond the certification limits of the P-trap or by falling outside of H-24.18.4.4 test parameters unless additional testing is conducted to assure there will be no water intrusion into the canister or fuel system.

- 1). The P-trap vent must be installed in accordance with U.S.C.G. Safety Standards for Boat Gasoline Fuel Systems, #33CFR183 and A.B.Y.C. Standard H-24. **Note:** The P-trap must be mounted within 20° of vertical.
- 2). Locate the mounting surface with a thickness up to 3/4 inch maximum.
- 3). Drill a 1-5/8 inch diameter hole in the mounting surface.
- 4). Remove nuts and mounting flange from adapter.
- 5). Apply bedding compound around the outside of the mounting hole front, and insert escutcheon and adapter into the mounting hole.
- 6). Attach the mounting flange and nut. Tighten securely against the mounting surface.
- 7). Attach second nut loosely onto the adapter, then attach P-trap body to the adapter. Tighten second nut by backing out against the P-trap body.
- 8). Attach the vent hose to the barbed end of the P-trap body, and secure with a hose clamp.
- 9). To pressure test the fuel system, remove the splash guard vent cap, and attach an optional orange test cap (Cat. No. 0630TSTPLG).
- 10). Remove test cap, and re-attach vent cap after pressure testing.

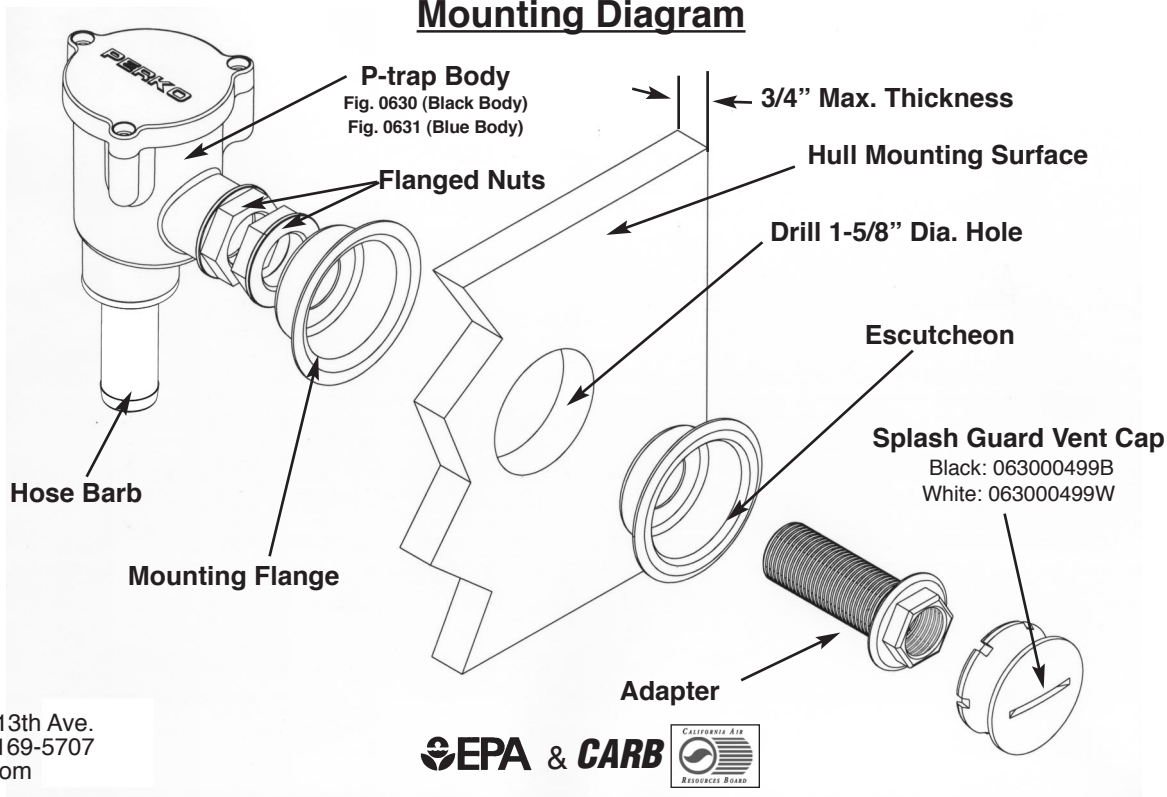
*The above referenced standards can be obtained from:

(1). American Boat & Yacht Council, Inc.
613 Third Street, Suite 10
Annapolis, MD 21403

(2). U.S. Coast Guard
Washington, D.C. 20593
(or your local C.G. office)

(3). E.P.A.
401 "M" Street S.W.
Washington, D.C. 20460

Mounting Diagram



Perko, Inc.
16490 N.W. 13th Ave.
Miami, FL 33169-5707
www.perko.com



02/18
0630INS1