



## **NAVIGATION LIGHT CERTIFICATE OF COMPLIANCE**

This navigation light has been tested and classified by UNDERWRITERS' LABORATORIES, INC. (U.L.) in accordance with the '72 COLREGS and the U.S. INLAND NAVIGATION RULES ACT OF 1980. When properly installed, and fitted with the correct lamp, this light is approved by the U.S. Coast Guard for use aboard U.S. Coast Guard inspected vessels. This certification is also accepted by other inspecting authorities. An identification plate attached to the light provides lamp replacement and official certification information.

Upon installation, record information below from the identification plate, as applicable to the class of vessel on which the light is to be fitted.

Type of Light **ALL-ROUND** \_\_\_\_\_

Cat. No. \_\_\_\_\_  
(0403E03PLB, 0403RE3PLB, 0403GE3PLB, or 0403ME3PLB)

D.O.M. No. \_\_\_\_\_  
(Die Stamped)

Vessel Length \_\_\_\_\_

Replacement Lamp **0342004CLR** \_\_\_\_\_

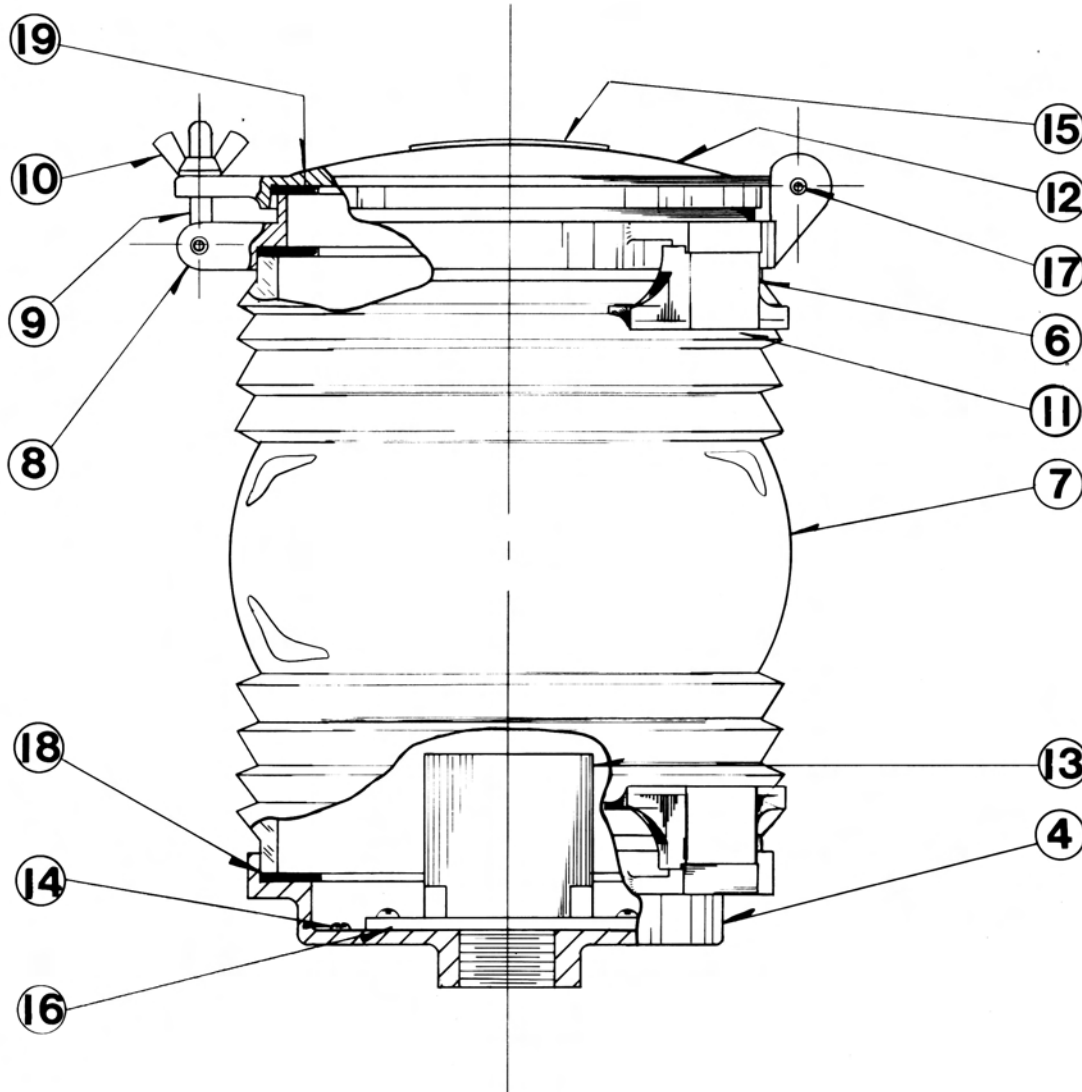
Date of Installation \_\_\_\_\_

Vessel Identification \_\_\_\_\_

12/08  
0403INS2

PERKO, INC.  
16490 N.W. 13th Avenue  
Miami, FL 33169-5707





### Bill of Material

NO.	NAME OF PIECE	NO. REQ.	MATERIAL	SIZE & SPEC.
4	BODY	1	BRONZE	TAPPED FOR 1" PIPE
6	RETAINERS, LENS	8	POLYCARB.	CAT. NO. 1133
7	LENS (SEE NOTE #1)	1	POLYCARB.	PERKO CAT. NO. 0261001
8	RING FOR COVER	1	BRONZE	CAST
9	LUG FOR COVER	1	BRASS	1/4-20 LUG
10	WING NUT FOR COVER	1	BRASS	1/4-20 NUT
11	SCREWS, LENS RETAINER	8	S/S	10-24 X 7/8"
12	COVER, HINGED	1	BRONZE	CAST
13	SOCKET, LAMP (SEE NOTE #2)	1	PHENOLIC	PERKO CAT. NO. 0347
14	GROUNDING SCREW	2	BRASS	8-32 X 1/2" R.H.
15	CERTIFICATION PLATE	1	BRASS	NOT AVAILABLE
16	MOUNTING PLATE, SOCKET	1	BRASS	5/8" X 2-1/2"
17	ROLL PIN	2	S/S	3/16" DIA. X 3/4"
18	GASKET, LENS	2	NEOPRENE	1/8" X 4-1/2" X 5-1/2"
19	GASKET, COVER	1	NEOPRENE	1/8" X 4-1/2" X 5-1/2"

#### NOTES:

1. LENS - AMERICAN MADE FRESNEL, 360°, PERKO CAT. NO. 261001  
WHITE (GRAY) ALL-ROUND  
RED ALL-ROUND  
GREEN ALL-ROUND  
YELLOW ALL-ROUND
2. SOCKET - MEDIUM PREFOCUS PHENOLIC 250 VOLTS 1000 WATTS  
BRYANT NO. 3743 U.L. LISTED
3. WEIGHT - 11-1/2 LBS.

#### VISIBILITY AND LAMP WATTAGE SPECIFICATIONS\* FOR ALL SIZE VESSELS

CAT. NO.	DESCRIPTION	VISIBILITY ARC	VISIBLE MILES	REQ. WATTS	LAMP CAT. NO.
0403E03PLB	WHITE ALL-ROUND	360°	3	60	0342004CLR
0403RE3PLB	RED ALL-ROUND	360°	3	60	0342004CLR
0403GE3PLB	GREEN ALL-ROUND	360°	3	60	0342004CLR
0403ME3PLB	YELLOW ALL-ROUND	360°	3	60	0342004CLR

\*BULB DATA: THESE ARE SPECIAL PERKO NAVIGATION LAMPS, 120 VOLTS T-10 MEDIUM PREFOCUS BASE, C-8 FILAMENT, CLEAR, 2-3/8 INCH L.C.L., AND MUST BE USED TO MEET THE 1972 COLREGS.

THESE NAVIGATION LIGHTS MEET U.S. COAST GUARD REQUIREMENTS UNDER THE 1972 COLREGS AND U.S. INLAND NAVIGATION ACT OF 1980, AND ARE CLASSIFIED BY UNDERWRITERS LABORATORIES STANDARD U.L. 1104 TO MEET THE 1972 COLREGS.

#### NOTE:

WIRE ONLY THROUGH TERMINAL TUBE USING 16/3 SJO CABLE WITH A 7/16 INCH NOMINAL O.D. TO RETAIN WATERTIGHT INTEGRITY AND COMPLY WITH U.L. 1104.



<b>PERKO®</b>		
16490 N.W. 13th Avenue		Miami, FL 33169-5707
Date: 7-21-82		Drawn By: D. Beutler
Scale: None		Revised: 12/01/08
Cat. No. 0403 #3 "E" Series All-Round Navigation Lights (Electric)		