

## Fig. 0345 "In-Hose" Scupper Valve Installation Instructions

**PLEASE READ ALL INSTRUCTIONS BEFORE PROCEEDING**

The in-hose inlet scupper valve is designed to install in the drain line next to the thru-hull at the exit of the boat.

Cat. Nos. 0345 and 0345DP can only be used with standard 1½" hose.

Cat. Nos. 0345002 and 0345DP2 can only be used with standard 2" hose.

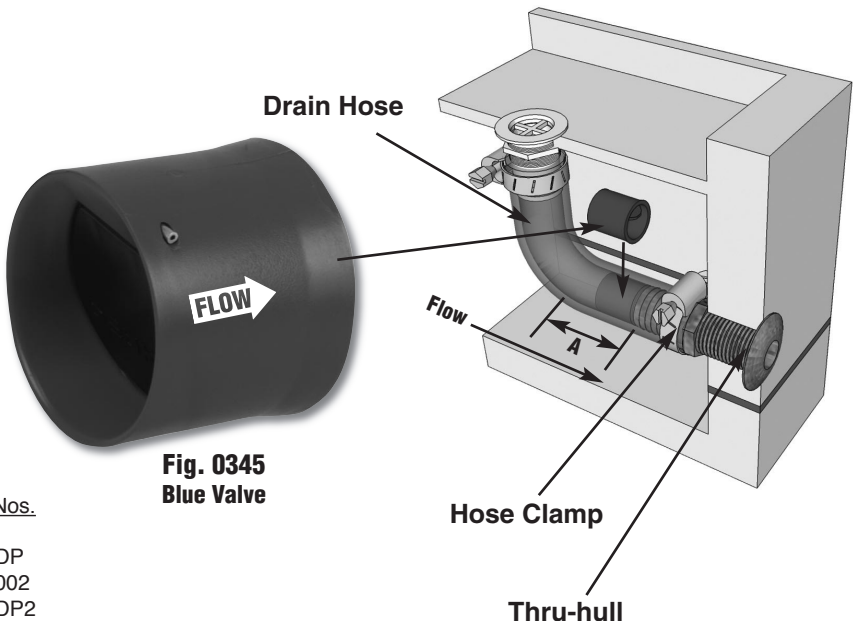
Installation should be done by a qualified marine mechanic.

To install:

- 1) Prior to removing hose, mark the position of the end of the hose on the thru-hull hose barb.
- 2) Loosen hose clamps and disconnect the drain hose from the thru-hull.
- 3) Make sure there will be at least 2" of straight hose section for the scupper valve (see dimension "A" in Diagram 1)
- 4) Insert the valve into the drain hose (small diameter end first) until at least ½" of fill hose extends beyond the valve.
- 5) Re-attach fill hose by pushing onto the thru-hull barb until the hose reaches the original marked position.
- 6) Tighten using hose clamps in accordance with ABYC Hose Clamping Standards.

### Diagram 1

#### Illustration of In-Line (Blue) Scupper Valve Installation



Cat. Nos.  
0345  
0345DP  
0345002  
0345DP2

4/19  
0345INS1

PERKO, INC.  
16490 N.W. 13th Avenue  
Miami, FL 33169-5707  
www.perko.com