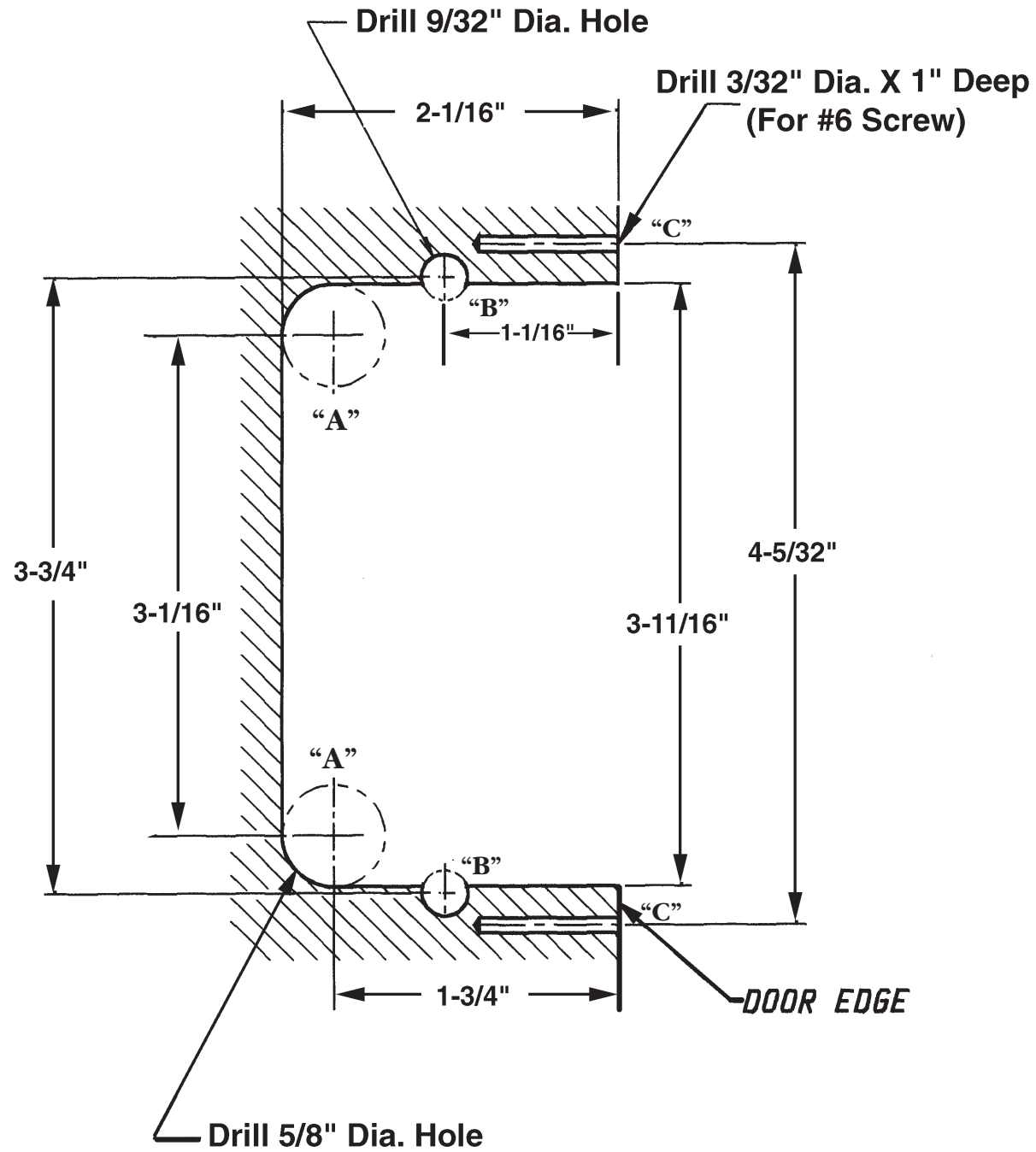


**MOUNTING TEMPLATE**



**PERKO®**

*We Make it Right, Right Here!!®*

**FIG. 0731 SERIES FLUSH LOCK SET  
INSTALLATION INSTRUCTIONS**



## Fig. 0731 Series Flush Lock Set

### MOUNTING INSTRUCTIONS

Read all instructions before proceeding.

This series of flush lock sets is designed to be mounted on doors 1/2 inch to 3/4 inch thick.

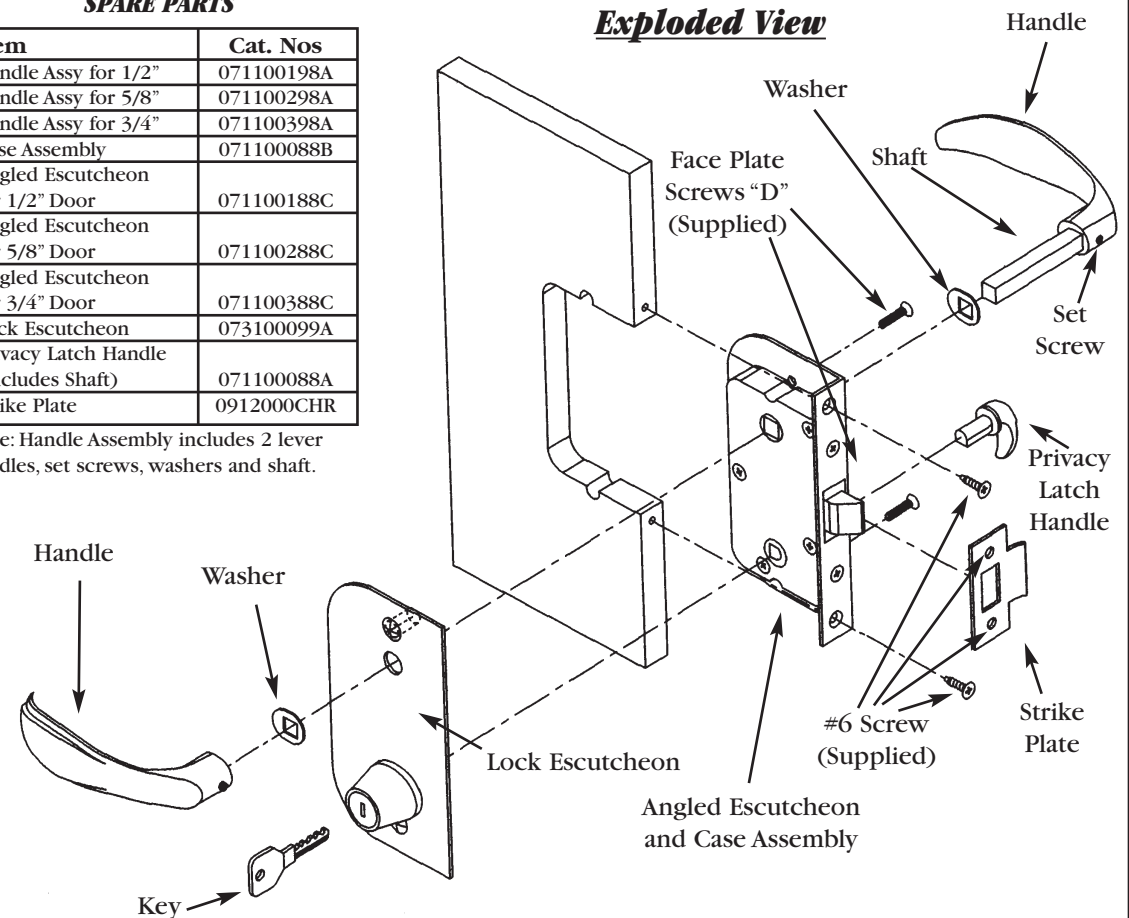
- 1). Tape template on door at the desired location.
- 2). Mark through template for two 5/8" diameter holes ("A") and two 9/32" diameter holes ("B")
- 3). Drill all 4 holes.
- 4). Notch door out to dimensions shown on template.  
**CAUTION:** For proper fit, do not exceed notch dimensions.
- 5). Remove handles and separate the escutcheons (by removing two screws "D") Slide lock set assembly into notch in door. Refasten escutcheons with screws "D".
- 6). Use awl and hammer to mark for 3/32" diameter pilots in both holes "C" then align and fasten lock set housing assembly to door with (2) #6 flat head screws (supplied).
- 7). Attach 'L' handles to the shaft and install in lock set with square washers. Tighten set screws on lever handles.
- 8). Mount strike plate to door frame with (2) #6 flat head screws (supplied).

### SPARE PARTS

Item	Cat. Nos
Handle Assy for 1/2"	071100198A
Handle Assy for 5/8"	071100298A
Handle Assy for 3/4"	071100398A
Case Assembly	071100088B
Angled Escutcheon for 1/2" Door	071100188C
Angled Escutcheon for 5/8" Door	071100288C
Angled Escutcheon for 3/4" Door	071100388C
Lock Escutcheon	073100099A
Privacy Latch Handle (Includes Shaft)	071100088A
Strike Plate	0912000CHR

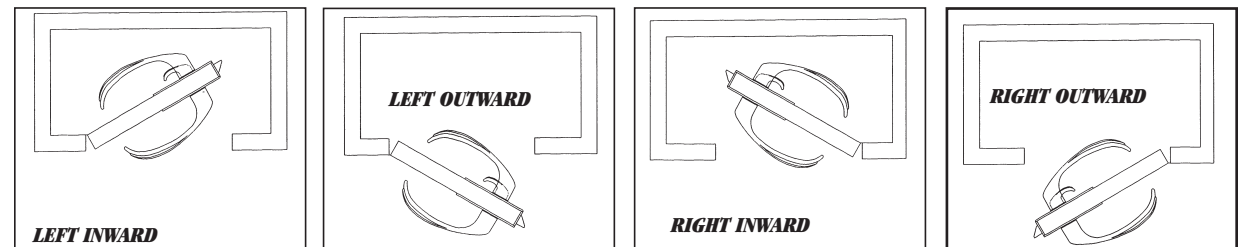
Note: Handle Assembly includes 2 lever handles, set screws, washers and shaft.

### Exploded View



<i>Catalog No.</i>	<i>Door Size</i>	<i>Type of Lock</i>
0731001LIC	1/2	Left Inward
0731001LOC	1/2	Left Outward
0731001RIC	1/2	Right Inward
0731001ROC	1/2	Right Outward
0731002LIC	5/8	Left Inward
0731002RIC	5/8	Right Inward
0731002LOC	5/8	Left Outward
0731002ROC	5/8	Right Outward
0731003LIC	3/4	Left Inward
0731003LOC	3/4	Left Outward
073-003RIC	3/4	Right Inward
0731003ROC	3/4	Right Outward

### Determining the hand of the lock set.



**NOTE:** The privacy latch handle should always be mounted on the door's interior side