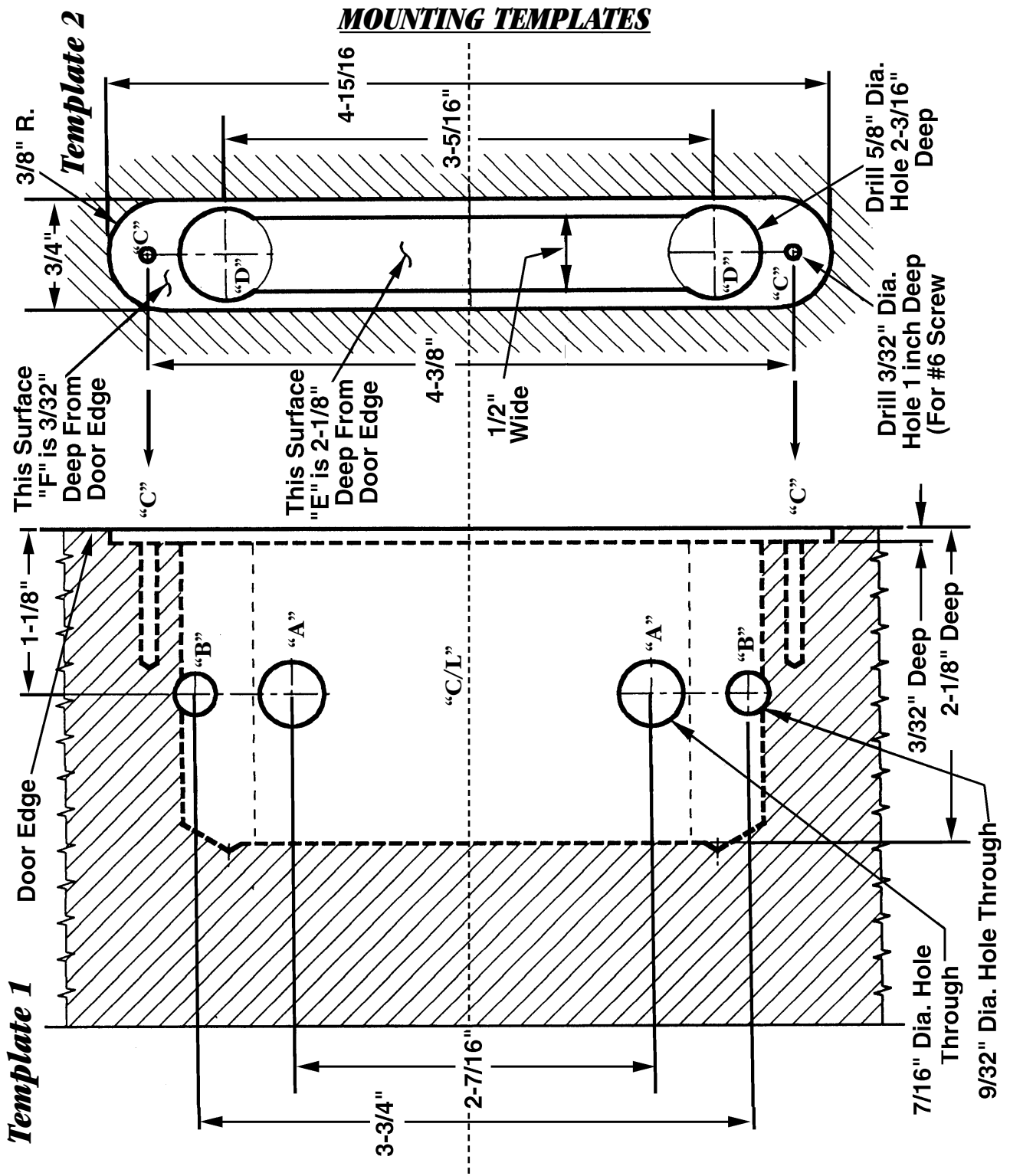


MOUNTING TEMPLATES



PERKO®
Shaping the Wave of Excellence®

**FIG. 0710 SERIES MORTISE LATCH SET
 INSTALLATION INSTRUCTIONS**



FIG. 0710 SERIES FLUSH LATCH SET

MOUNTING INSTRUCTIONS

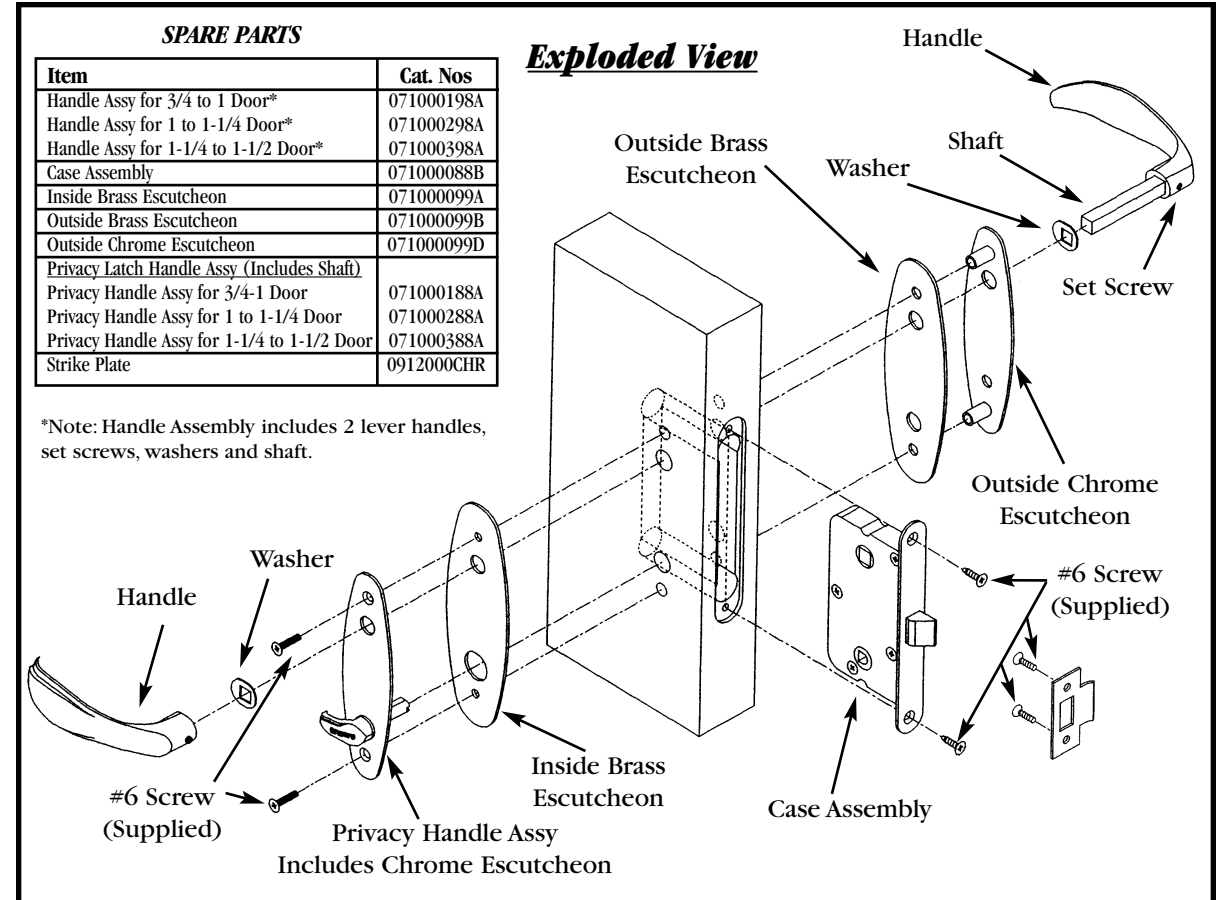
Read all instructions before proceeding.

This series of flush latch sets is designed to be mounted on doors 3/4 inch to 1-1/2 inches inch thick.

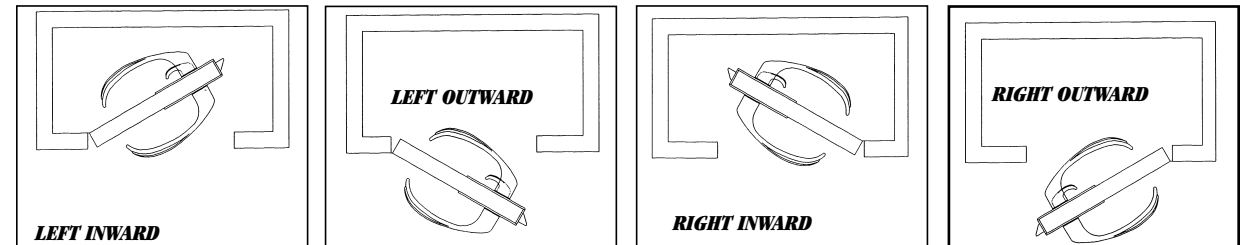
- 1). Tape Template 1 on door at the desired location.
- 2). Mark through template for two 7/16" diameter holes ("A") and two 9/32" diameter holes ("B")
- 3). Drill all 4 holes.
- 4). Tape Template 2 on door at the desired location Lining up Holes "C" and the centerline reference (C/L) with Template 1.
- 5). Mark through Template 2 for two 3/32" diameter holes ("C") and two 5/8" diameter holes ("D").
- 6). Drill ("C") holes 1 inch deep and ("D") holes 2-3/16" deep.
- 7). Route door out to depth ("E") shown on template between the two 5/8" diameter holes using a 1/2 inch diameter routing bit.
- 8). Route door out to depth ("F") shown on template using a 3/4 inch diameter routing bit.
- 9). Remove handles and separate the escutcheons Slide case assembly into door.
- 10). Fasten case assembly to door with (2) #6 flat head screws. (Supplied).
- 11). Refasten escutcheons. Attach 'L' handles to the shaft and install in latch set with square washers. Tighten set screws on lever handles.
- 12). Mount strike plate to door frame with (2) #6 flat head screws (Supplied).
- 13). NOTE: The latch set has a safety unlatch feature on the outside that can be activated by inserting a small blade screwdriver and turning.

<u>Catalog No.</u>	<u>Door Size</u>	<u>Type of Latch</u>
0710001LIC	3/4 to 1	Left Inward or Right Outward
0710001RIC	3/4 to 1	Right Inward or Left Outward
0710002LIC	1 to 1-1/4	Left Inward or Right Outward
0710002RIC	1 to 1-1/4	Right Inward or Left Outward
0710003LIC	1-1/4 to 1-1/2	Left Inward or Right Outward
0710003RIC	1-1/4 to 1-1/2	Right Inward or Left Outward

Note: Left Inward/Right Outward are Interchangeable.
Right Inward/Left Outward are Interchangeable.



DETERMINING THE HAND OF THE LATCH SET.



NOTE: The privacy latch handle should always be mounted on the door's interior side