

### Tank Vent Valves (TVV) (ROV)

- Tank vent valves are designed to direct vapors generated during the diurnal cycle. Vent lines from TVV's generally run to carbon canisters. Properly installed, TVV's help protect canisters from liquid fuel.
- Perko TVV's are sometimes referred to as rollover valves (since they offer rollover protection) and as grade vent valves.
- Mounting options for tank mounted TVV's include flanged (for plastic tanks), threaded, welded or swivel (for metal tanks).
- Internally mounted versions are available for both plastic and metal tanks on a custom basis.

### Technical Information

- For mounting on Plastic or Aluminum tanks
- Hose Connection: 5/16"
- Vent orifice: 0.075 inch (~1.9 mm)
- Air Flow Rate Positive Pressure @ 0°: 3.0 kPa ≥ 5 l/min & 15 kPa ≥ 10 l/min
- Reopening Pressure > Min 15 kPa
- Maximum fuel leakage is less than .4 cc/min 11.2 kPa



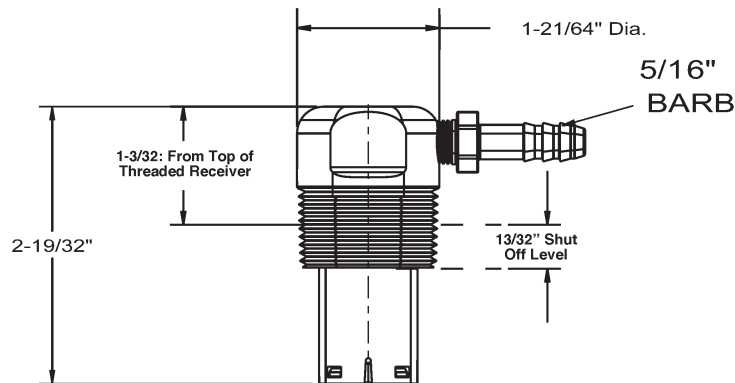
**Fig. 0588T00 NPTF Threaded Tank Vent Valve (TVV)**

#### CONSTRUCTION:

- Machined Aluminum
- Polymer Valve
- Mount with a 1" NPTF thread
- For mounting on metal tanks



**Fig. 0588T00**



#### Technical Information

Catalog No.	Length Inches	Width Inches	Projection Inches	Shut Off Height Inches	Hose Connection Inches	Mounting Hole Dia. Inches
0588T00	2-19/32	1-21/64	1-3/32	13/32	5/16"	1" NPTF

#### Ordering Information - OEM Bulk Pkg. 20 Pcs.

Catalog No.	Style	Collar	For Use on Tank Type	Angle/Port	Fire Test Capable	Shipping Weight Lbs.
0588T00	NPTF, Threaded	No	Aluminum	90°	Yes	4.1