

Bill of Material

Item	Fig. No.	Description	Qty.
4		Drum Assembly Complete	1
9		Fork Assembly Complete	1
16	0902 #1	Rear Cover with Screws	1
23	0890 #1	Reflector	1
27	0891 #1	Front Door with Glass Assembly	1
31	0889 #1	Front Glass	1
34		Anti-Halo Ring Assembly	1
37		Vertical Yoke Assembly Complete	1
47		Upper Vent Cover	1
48	0910	Reflector Clips	4
49		Focus Device Assy. w/Socket & Stand. See Note 1	1
51		Electrical Cord Assembly	1
53		Latch, Front Door	2
54		Hinge Assembly, Front Door	1
55		Seal	1
56		Base Seal	1
60	0850 #1	Base Assembly Complete	1

Specify finish when ordering spare parts.

Note 1 All Bulbs using the same socket and stand Fig. No. (last column below) are field interchangeable w/o modification, otherwise a change in bulb type must be accompanied by a new corresponding socket and stand.

Note 2 **Inclination** 22° **Declination** 27°

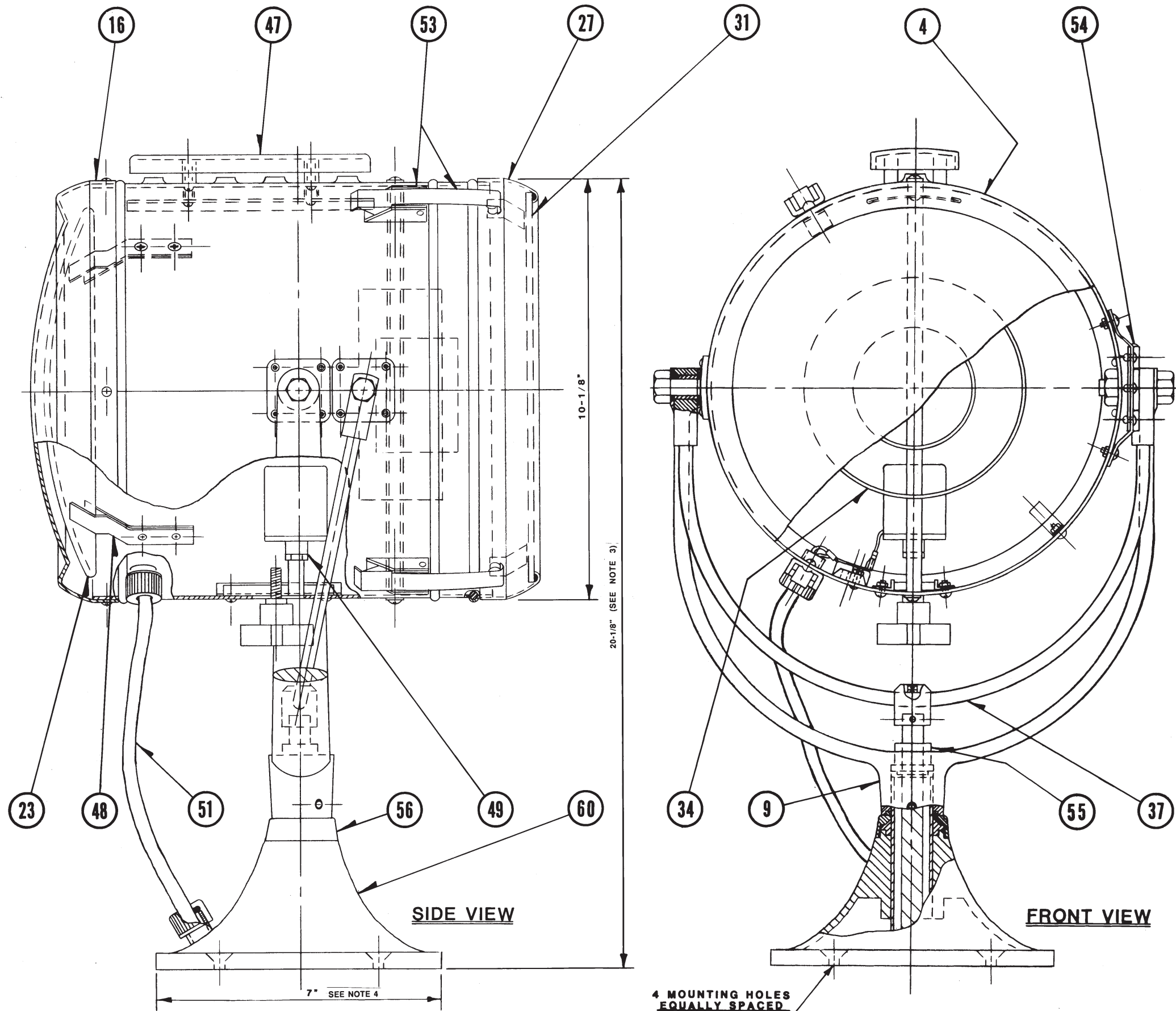
Note 3 "J" Dimensions
0884OP1 20-1/8"
0884MP1 28-1/4"
0884HP1 44-3/4"

Note 4 Searchlights with "J" dimensions above the standard (20-1/8") utilize an 8" diameter base (key no. 60) instead of standard 7" base.

Note 5 Searchlights with special pedestal heights and/or special control lengths can be made to order. The special "J" dimension and/or control length dimension ("E") must accompany the inquiry.

Note 6 This searchlight head assembly is compatible with Fig. 0851series control assemblies. See Fig. 0851 prints for control dimensions and complete searchlight/control Fig. No. designations.

Bulb Fig. No.	Bulb Wattage	Bulb Voltage	Approx Maximum B.C.P.	Horz. Beam Spread	Vert. Beam Spread	Rated Life Hours	MFG Lamp Code	Socket Type	Socket Fig. No.	Socket & Stand Fig. No.
0806	500	32	943,000	3.4	3.9	50	DLT	Med. Screw	0894	0872 #1
0807	500	120	1,332,000	3.5	2.8	25	CZX	Med. Pref.	0895	0873 #1
0816	100	12	1,168,000	1.7	1.4	50	FDT	2 Pin Pref.	0899	0875 #1
0836	150	24	891,000	2.6	1.5	50	DZE/FDS	2 Pin Pref.	0899	0876 #1
0817	200	32	571,000	2.6	1.7	200	G.E.-1945	2 Pin Pref.	0899	0878 #1
0844	500	120	1,260,000	3.1	3.4	500	BTL	Med. Pref.	0895	0873 #1
0820	600	120	908,000	4.4	2.2	75	DYS	2 Pin Pref.	0899	0879 #1



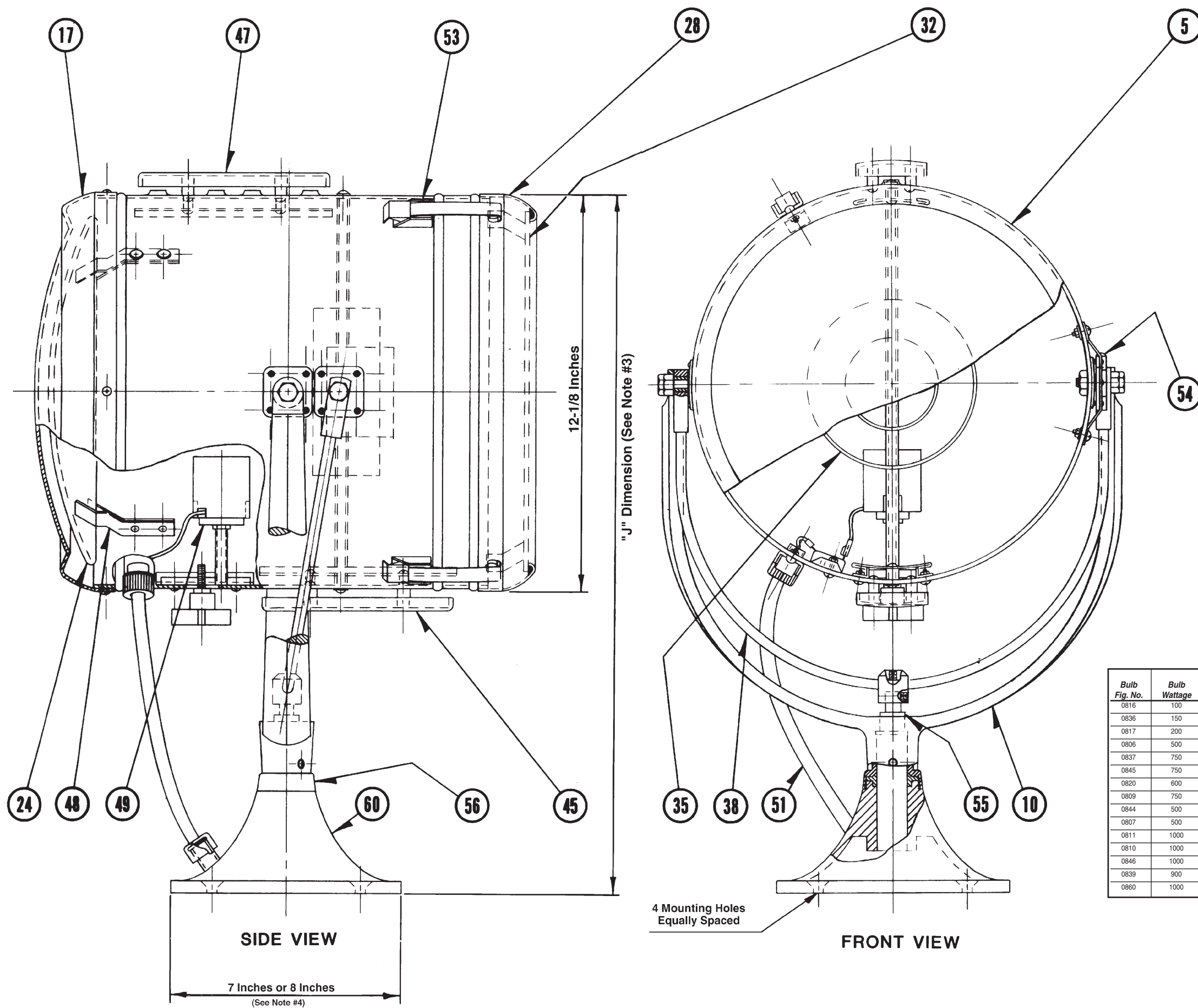
PERKO®

16490 N.W. 13th Avenue Miami, FL 33169-5707

Date: 1-19-83 Drawn By: D. Beutler

Scale: None Revised: 12/11/03

Fig. 0884 #1 Searchlight Head Assembly



Bill of Material

Item	Fig. No.	Description	Qty.
5		Drum Assembly Complete	1
10		Fork Assembly Complete	1
17	0902#2	Rear Cover with Screws	1
24	0890#2	Reflector	1
28	0891#2	Front Door with Glass Assembly	1
32	0889#2	Front Glass	1
35		Anti-Halo Ring Assembly	1
38		Vertical Yoke Assembly Complete	1
45		Lower Vent Cover	1
47		Upper Vent Cover	1
48	0910	Reflector Clips	4
49	0892	Focus Device Assy. w/Socket & Stand. See Note 1	1
51		Electrical Cord Assembly	1
53		Latch, Front Door	2
54		Hinge Assembly, Front Door	1
55		Seal	1
56		Base Seal	1
60	0850	Base Assembly Complete (See Note #4)	1

Specify finish when ordering spare parts.

Note 1 All Bulbs using the same socket and stand Fig. No. (last column below) are field interchangeable w/o modification, otherwise a change in bulb type must be accompanied by a new corresponding socket and stand.

Note 2 **Inclination** 27° **Declination** 18°

Note 3 "J" Dimensions
 0884 #2 22-1/8"
 0884M02 29-1/2"
 0884H02 46"

Note 4 Searchlights with "J" dimensions above the standard (22-1/8") utilize an 8" diameter base (key no. 60) instead of standard 7" base.

Note 5 Searchlights with special pedestal heights and/or special control lengths can be made to order. The special "J" dimension and/or control length dimension ("E") must accompany the inquiry.

Note 6 This searchlight head assembly is compatible with Fig. 0851series control assemblies. See Fig. 0851 prints for control dimensions and complete searchlight/control Fig. No. designations.

Bulb Fig. No.	Bulb Wattage	Bulb Voltage	Approximate Maximum B.C.P.	Horz. Beam Spread	Vert. Beam Spread	Life Hours	Lamp Code	Socket Type	Socket Fig. No.	Socket & Stand Fig. No.
0816	100	12	1,617,000	1.5	1.2	50	FDT	2 Pin Pref.	0899	0875 #2
0836	150	24	1,349,000	2.2	1.5	50	DZE/FDS	2 Pin Pref.	0899	0876 #2
0817	200	32	865,000	2.4	1.6	200	G.E.-1945	2 Pin Pref.	0899	0878 #2
0806	500	32	1,496,000	3.4	3.5	50	DLT	Med. Screw	0894	0872 #2
0837	750	120	977,000	4.1	3.7	200	DDY	Med. Pref.	0895	0873 #2
0845	750	120	1,185,000	3.7	5.2	200	BTP	Med. Pref.	0895	0873 #2
0820	600	120	1,410,000	4.3	1.9	75	DYS	2 Pin Pref.	0899	0879 #2
0809	750	120	1,747,000	3.6	3.4	25	DPJ	Med. Pref.	0895	0873 #2
0844	500	120	1,641,000	3.2	3.4	500	BTL	Med. Pref.	0895	0873 #2
0807	500	120	1,799,000	3.3	3.1	25	CZS	Med. Pref.	0895	0873 #2
0811	1000	120	1,816,000	4.0	4.9	25	DRW	Mog. Screw	0897	0874 #2
0810	1000	120	1,894,000	4.0	3.8	25	DRS	Med. Pref.	0895	0873 #2
0846	1000	120	1,911,000	3.9	5.0	200	BTR	Med. Pref.	0895	0873 #2
0839	900	120	2,482,000	4.5	5.5	75	BVA	2 Pin Pref.	0866	0880 #2
0860	1000	230	865,000	6.9	5.9	950	FKD	Med. Pref.	0895	0873 #2

PERKO®

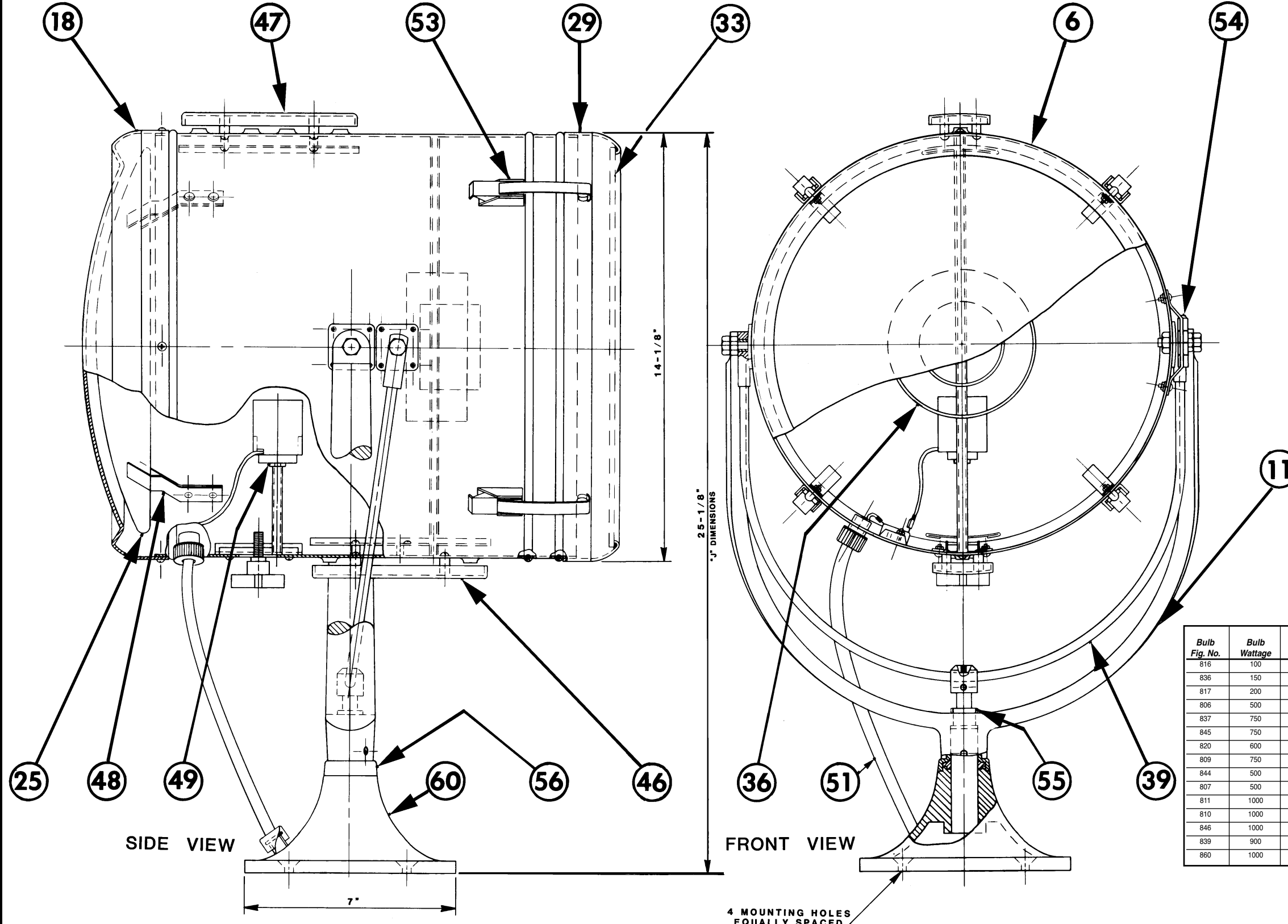
16490 N.W. 13th Avenue Miami, FL 33169-5707

Date: 3-3-83 Drawn By: D. Beutler

Scale: None Revised: 11/04/04

Fig. 0884 #2 Searchlight Head Assembly

PERKO®



Bill of Material			
Item	Fig. No.	Description	Qty.
6		Drum Assembly Complete	1
11		Fork Assembly Complete	1
18	902#3	Rear Cover with Screws	1
25	890#3	Reflector	1
29	891#3	Front Door with Glass Assembly	1
33	889#3	Front Glass	1
36		Anti-Halo Ring Assembly	1
39		Vertical Yoke Assembly Complete	1
46		Lower Vent Cover	1
47		Upper Vent Cover	1
48		Reflector Clips	4
49		Focus Device Assy. w/Socket & Stand. See Note 1	1
51		Electrical Cord Assembly	1
53		Latch, Front Door	2
54		Hinge Assembly, Front Door	1
55		Seal	1
56		Base Seal	1
60		Base Assembly Complete (See Note #4)	1

Specify finish when ordering spare parts.

Note 1 All Bulbs using the same socket and stand Fig. No. (last column below) are field interchangeable w/o modification, otherwise a change in bulb type must be accompanied by a new corresponding socket and stand.

Note 2 *Inclination* 27° *Declination* 23°

Note 3 "J" Dimensions
 884 #3 25-1/8"
 884 M03 31-1/2"
 884 H03 48"

Note 4 Searchlights with "J" dimensions above the standard (25-1/8") utilize an 8" diameter base (key no. 60) instead of standard 7" base.

Note 5 Searchlights with special pedestal heights and/or special control lengths can be made to order. The special "J" dimension and/or control length dimension ("E") must accompany the inquiry.

Note 6 This searchlight head assembly is compatible with Fig. 851 series control assemblies. See Fig. 851 prints for control dimensions and complete searchlight/control Fig. No. designations.

Bulb Fig. No.	Bulb Wattage	Bulb Voltage	Approximate Maximum B.C.P.	Horz. Beam Spread	Vert. Beam Spread	Life Hours	Lamp Code	Socket Type	Socket Fig. No.	Socket & Stand Fig. No.
816	100	12	1,617,000	1.5	1.2	50	FDT	2 Pin Pref.	899	875 #2
836	150	24	1,349,000	2.2	1.5	50	DZE/FDS	2 Pin Pref.	899	876 #2
817	200	32	865,000	2.4	1.6	200	G.E.-1945	2 Pin Pref.	899	878 #2
806	500	32	1,496,000	3.4	3.5	50	DLT	Med. Screw	894	872 #2
837	750	120	977,000	4.1	3.7	200	DDY	Med. Pref.	895	873 #2
845	750	120	1,185,000	3.7	5.2	200	BTP	Med. Pref.	895	873 #2
820	600	120	1,410,000	4.3	1.9	75	DYS	2 Pin Pref.	899	879 #2
809	750	120	1,747,000	3.6	3.4	25	DPJ	Med. Pref.	895	873 #2
844	500	120	1,641,000	3.2	3.4	500	BTL	Med. Pref.	895	873 #2
807	500	120	1,799,000	3.3	3.1	25	CZX	Med. Pref.	895	873 #2
811	1000	120	1,816,000	4.0	4.9	25	DRW	Mog. Screw	897	874 #2
810	1000	120	1,894,000	4.0	3.8	25	DRS	Med. Pref.	895	873 #2
846	1000	120	1,911,000	3.9	5.0	200	BTR	Med. Pref.	895	873 #2
839	900	120	2,482,000	4.5	5.5	75	BVA	2 Pin Pref.	866	880 #2
860	1000	230	865,000	6.9	5.9	950	FKD	Med. Pref.	895	873 #2

PERKO®

16490 N.W. 13th Avenue Miami, FL 33169-5707

Date: 3-2-83 Drawn By: D. Beutler

Scale: None Revised: 12/11/03

Fig. 884 #3 Searchlight Head Assembly

4 MOUNTING HOLES EQUALLY SPACED